

LARTC2V2-2015 pan for sale

Suitable for classes: 2, 3 and 4 (for Novarossi modified engines)

Material: aluminum EN AW-7075 T651 (material data sheet on next page)

Weight: for class 3 and 4 – 400 g, for class 2 possible with thinner walls - 370 g (on the request)

Price: 250 € + shipment

Custom milling option A – 200 + 120 € (for the information see the picture), second pan price 200 + 50 € if ordering at once.

Custom milling option B – 250 + 250 €

You can send me updated drawing for necessary milling: engine, gearbox mounting, holes, threads, etc. I will finish the pan according your requirements. Second pan price 250 + 50 € if ordering at once.


At the end of advertisement you will find drawings on A2 and A4 paper sizes, drawings are in scale 1:1, you can print and to check how your components fit.

If you need more detail drawing or cross section view, send me request.

Top cover blank (body shell) for class 3 and 4 – 80 € more information on pictures

Contact:

Linus Adomavičius linasadom@yahoo.com

QUALITY CERTIFICATE OF ANALYSIS AND WEIGHT	No: 13350	CERTIFIED SRAC-IQNet ISO 9001/2008 No.10/valid 2017	
	Date: 6/10/2014		

CUSTOMER : ALUMECO A/S

CONTRACT/ORDER : 120235838
 BILL OF DELIVERY : 80205423
 TRUCK/CONTAINER : AR 30 WEX/ AR 31 WEX

MATERIAL : ALUMINIUM PLATES
 ALLOY : EN AW-7075 TEMPER: T651
 DIMENSIONS (mm) : 70101271 - . 30X1520X3020

ACCORDING TO : EN 485 - 515 - 573

MECHANICAL PROPRIETES		1 MPa = 1 N/mm2 = 0.145 ksi = 0.102 kgf/mm2					
1 lbs = 0.4536 kg		Rm		Rp0.2		Elong. %	Hardness*
		Mpa		Mpa		50mm	HB
Specified values:		min.	max.	min.	max.	min.	min.
		Measured values:		530		460	
LOT / BATCH	CASE	577		520		11	164
70101271 S24030360	304959;304957; 304955;304889						

CHEMICAL PROPERTIES %												
BATCH	Si	Fe	Cu	Mn	Mg	Cr	Ni	Zn	Ti	Ga	V	Al
S24030360	0.14	0.28	1.33	0.075	2.42	0.2	0.008	5.68	0.038	0.012	0.019	REM. REM REM
Acc. Standard	Min.		1.2		2.1	0.18		5.1				REM.
	Max.	0.4	0.5	2	0.3	2.9	0.28	0.05	6.1	0.2	0.05	0.05
Remarks:						Other- Each- Max.: 0.05			OthersTotal- Max.: 0.15			

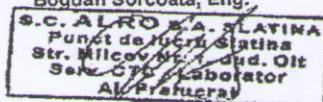
REMARKS

ACCORDING TO: EN 485-2:2008; EN 515:1993; EN 573-3:2009

* Typical value, for information only.

We hereby certify that the material detailed hereon has been produced and tested according to the requirements of the relevant specification and/or order. Keep in dry conditions, without large temperatures variations. The differences between metal and air must not exceed 11 °C. Please follow the recommendations of the Aluminium Association Guide for minimizing water staining, latest edition, for the unloading and storage of the material in your premises before usage. Also we certify that ALRO products complies with REACH legislation no. 1907/2006 concerning the Registration, Evaluation, Authorization and Restriction of Chemicals and CLP legislation no. 1272/2008 on classification, labeling and packaging of substances and mixtures.

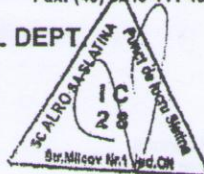
According to EN 10204:2004 3.1

Bogdan Sorcoata, Eng.


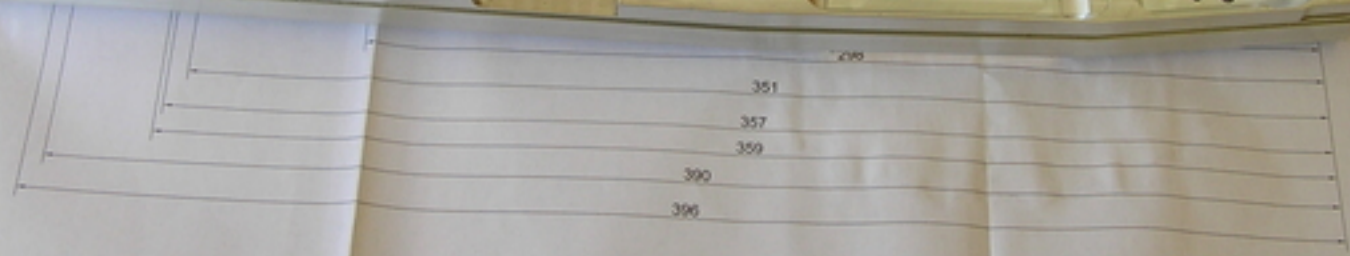
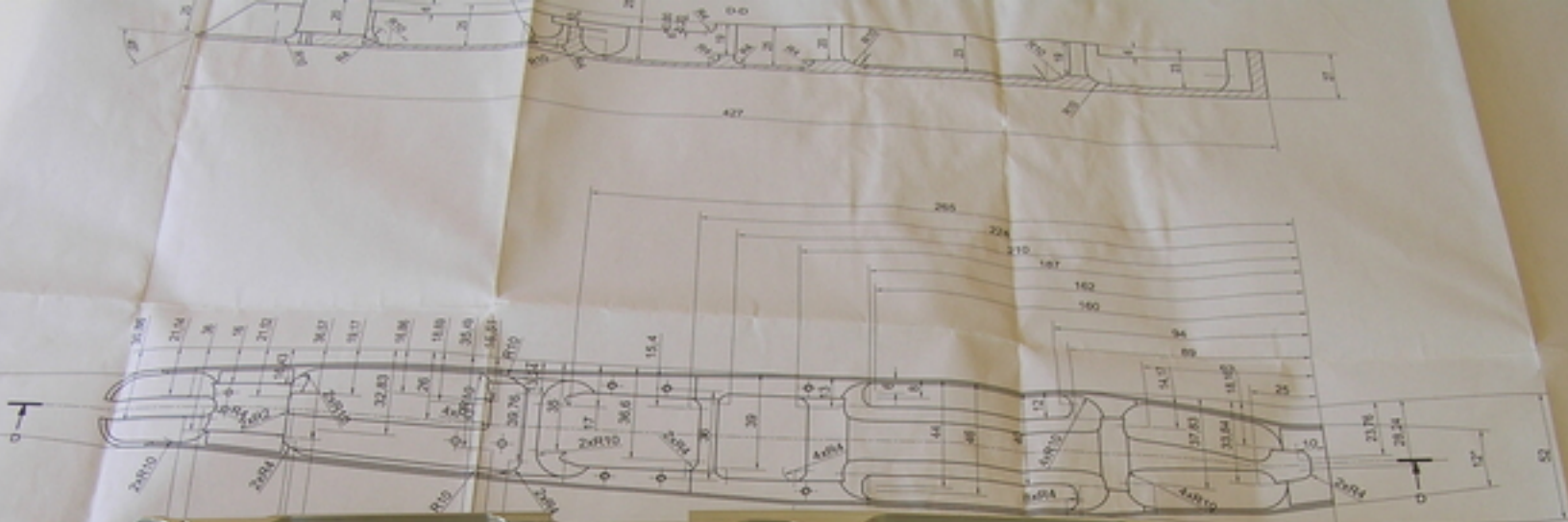
ALRO S.A. No.118, Pitesti Street Phone: +(40) 0249 435 117; 0249 432 956 alro@alro.ro
 230048-Slatina-ROMANIA Fax: (40) 0249 411 487; 0249 415 992 www.alro.ro

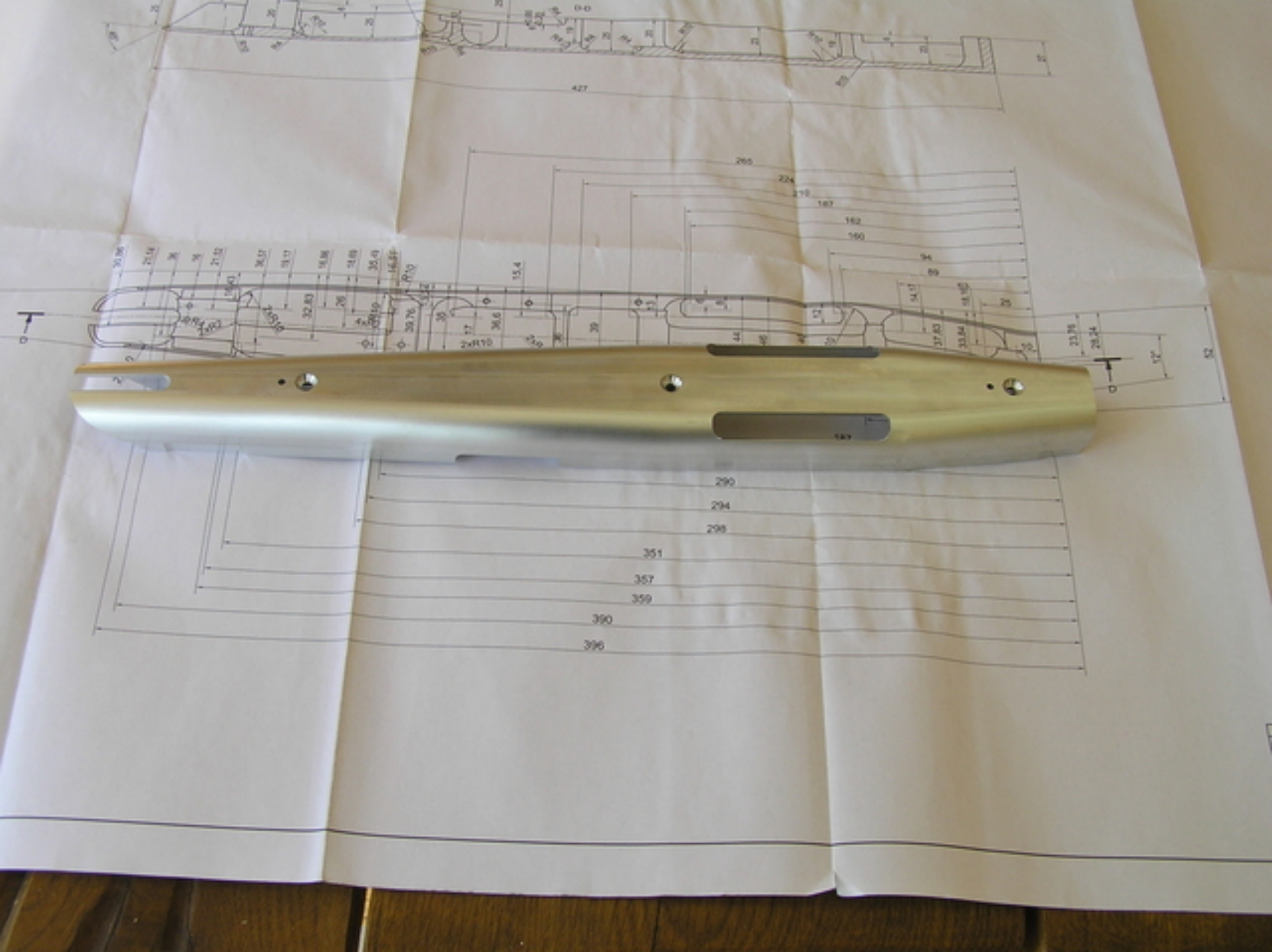
QUALITY CONTROL DEPT

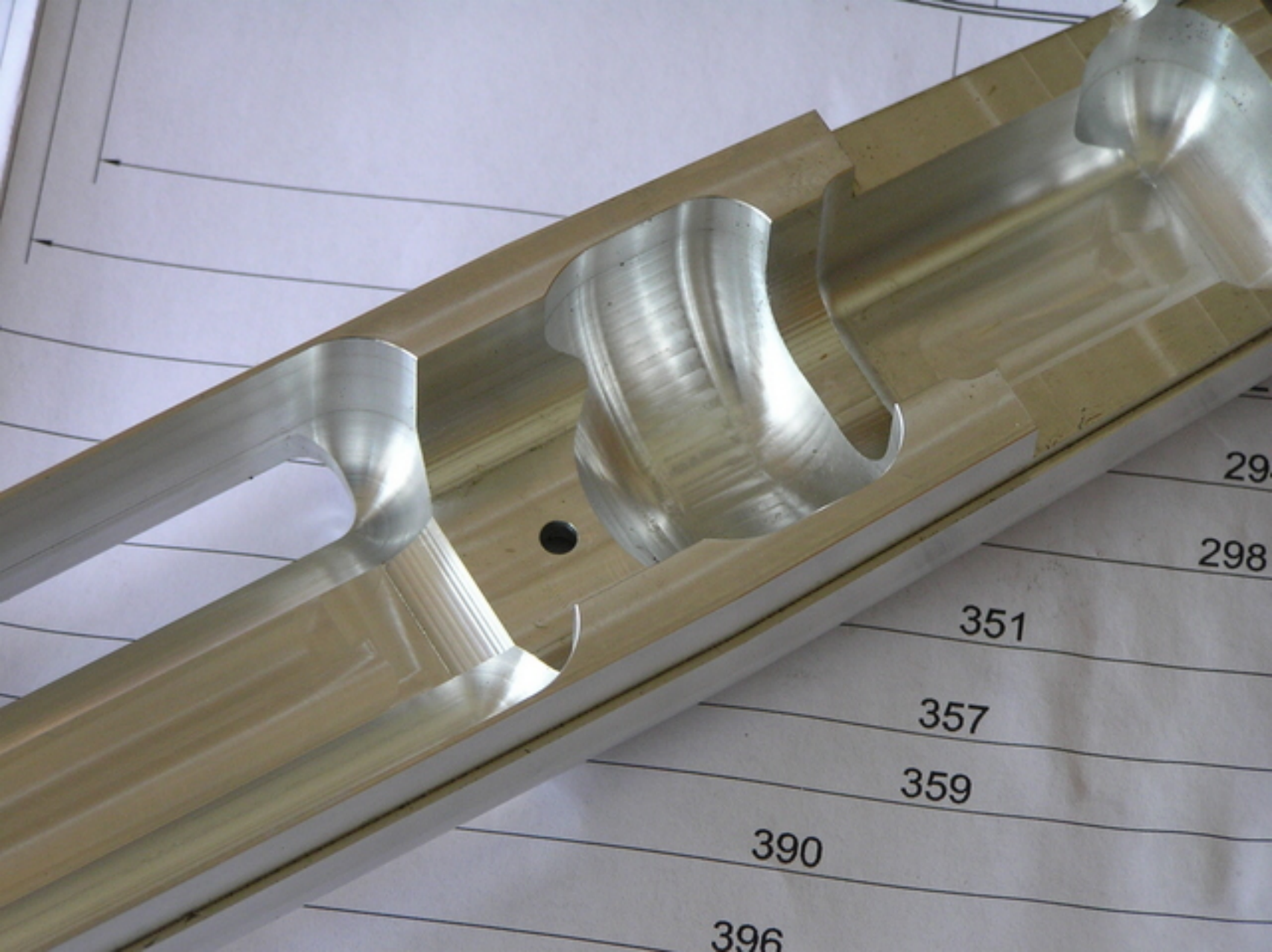
cod f1/PO-051/Rev.4/2012











29

298

351

357

359

390

396



35

359

390

396



284

290

294

298

351

357

359

390

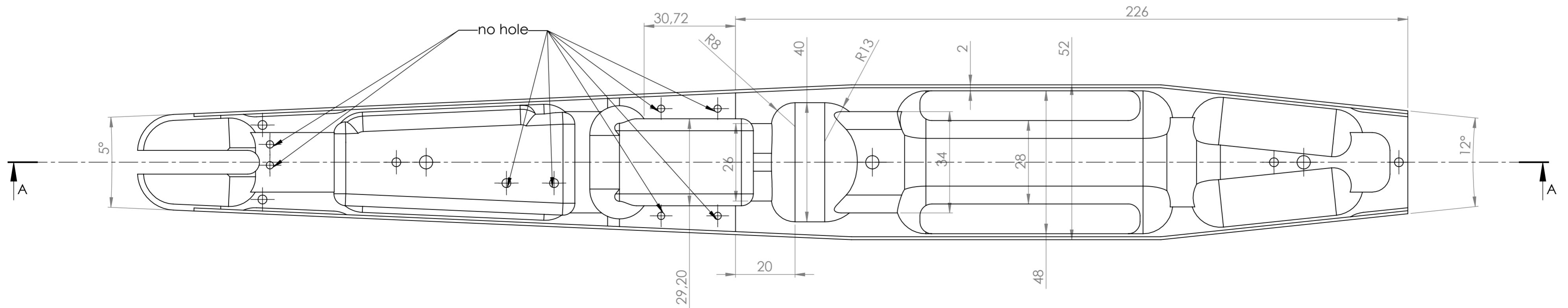
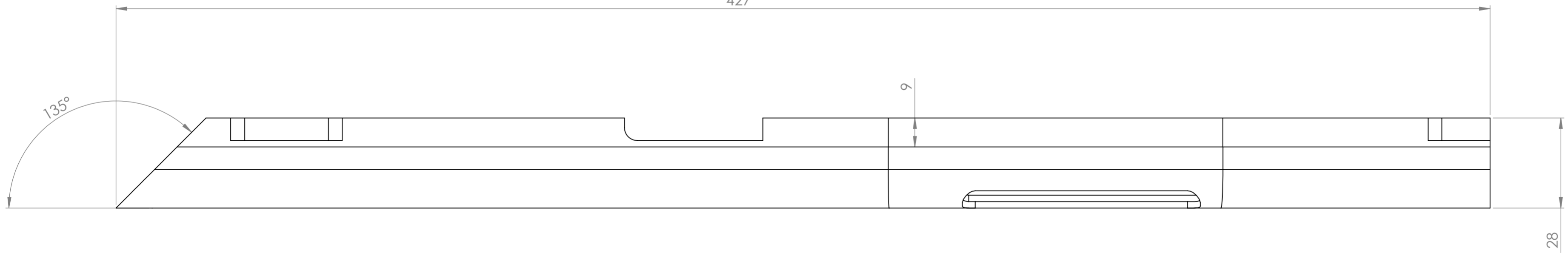
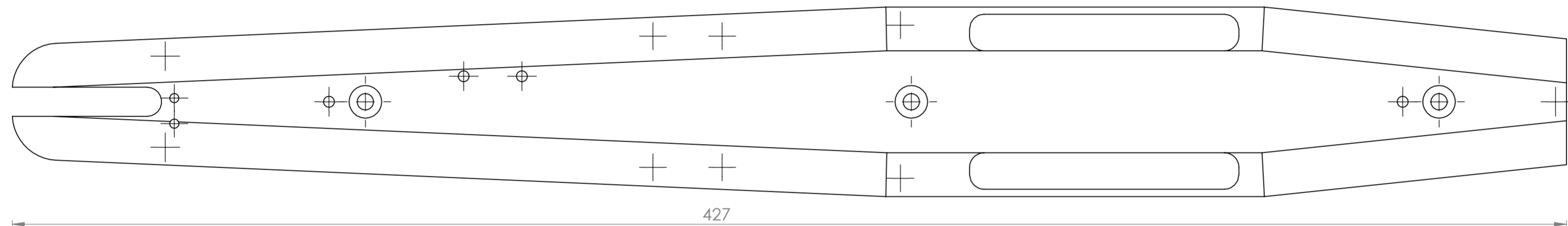
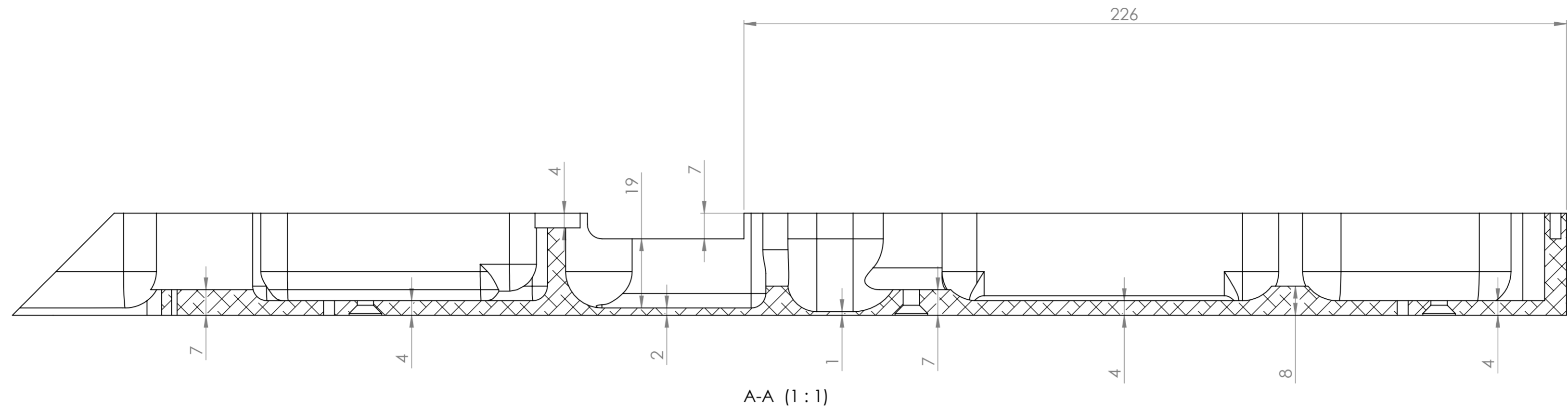
Top cover (bodyshell) made from glass fiber 3 layers.
Cut out for the pan will not be done.

In picture 5cc example

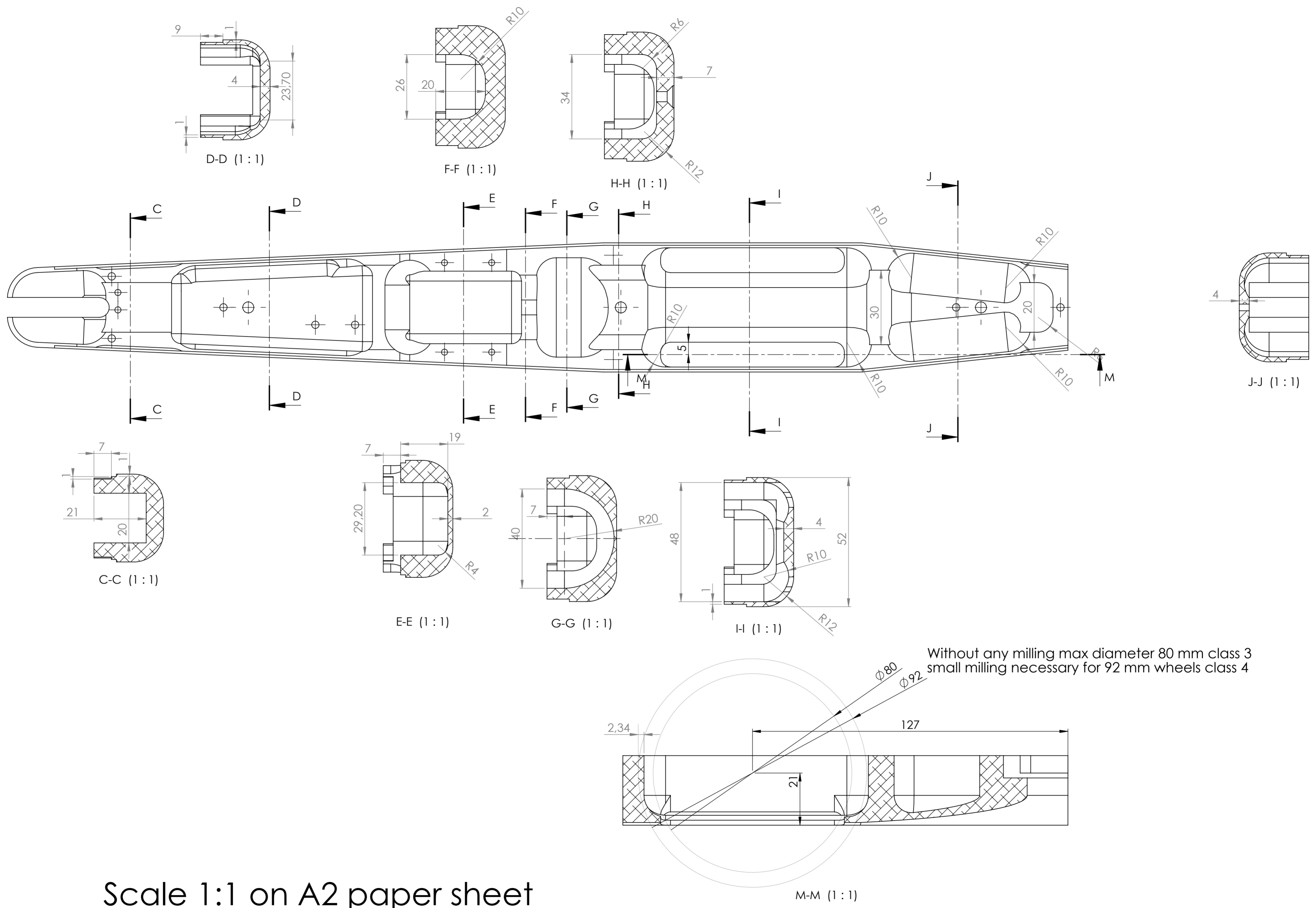
For 3,5 cc cut out needs inclination through all length, then rest of back part glue again



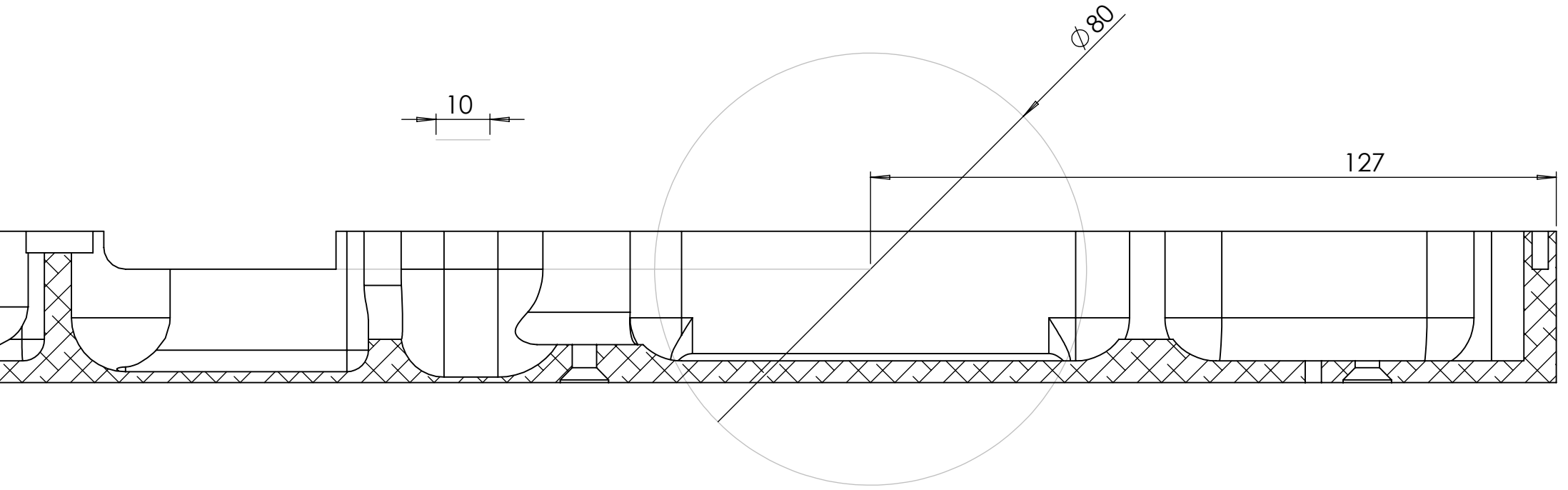




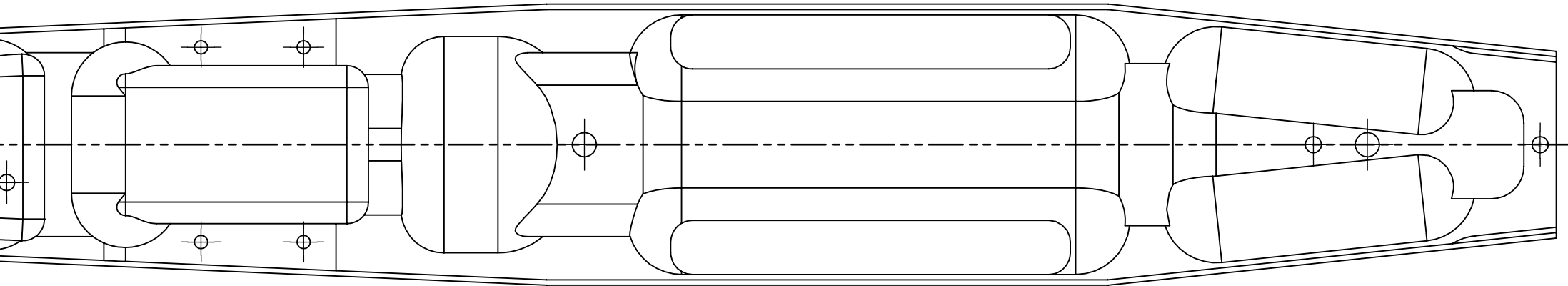
Scale 1:1 on A2 paper sheet



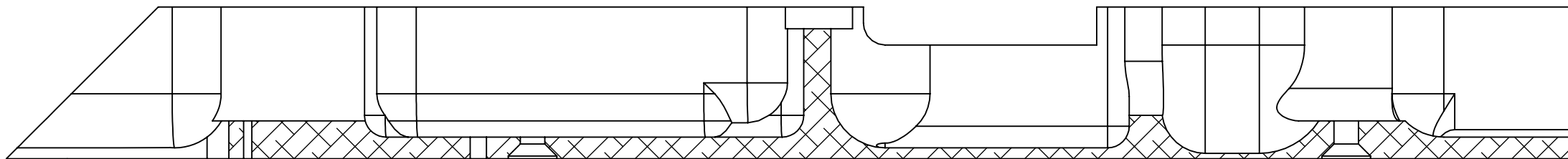
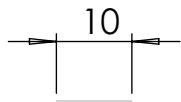
Scale 1:1 on A2 paper sheet



SECTION A-A
SCALE 1 : 1



10



SECTION B-B
SCALE 1 : 1

